

Welcome to Kwangu Kwako



We are a Kenyan Construction Technology Company that manufactures, supplies and builds using off-site modular solutions; precast concrete panels and fabricated metal components, to ensure quality, speed in build and secure budgets in construction.

Completed projects

Rentals • Homes • Classrooms • Shops



Kwangu Kwako

Design | Manufacture | Build

Single Storey Housing Price List - **PANELS**



12 x 12 Single Room

MOQ of 4 units

**Kes Including VAT*

349,000

from



180ft² Bedsitter

MOQ of 4 units

499,000

from

288ft² One Bedroom

MOQ of 2 units

749,000

from



484ft² Classroom

1,175,000

from

Prices include:- all water, drainage & electrical installations inside the building.

- labour, materials & transport within Nairobi, Ringroad.

Prices exclude:- cost for approvals, NCA, NEMA & any additional local charges.

- On site infrastructure (site water, electricity & drainage. distribution, paving etc is site specific.

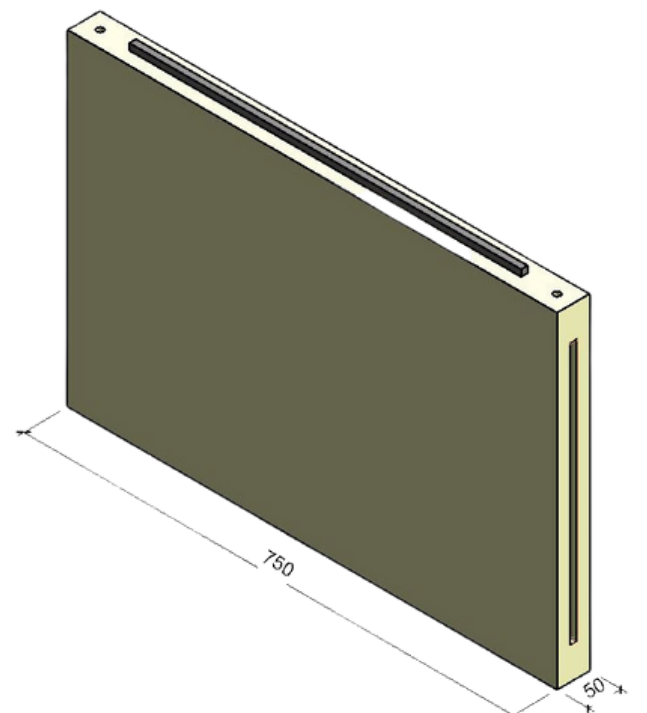


SpaceSaver Precast Panels

FOR SUPPLY



1. Quick to build
2. High quality & strong
3. Maximises floor space
4. Ideal for walling



kes.1485/m² OR Kes.650/panel at factory

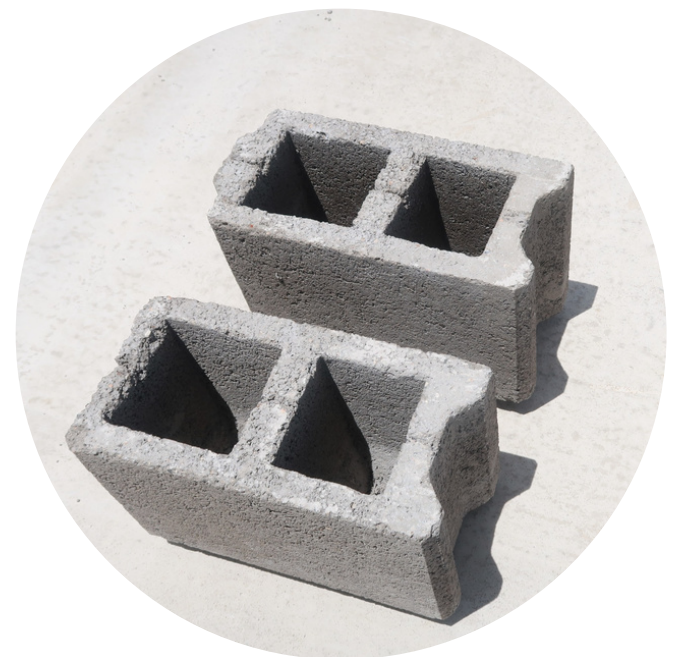
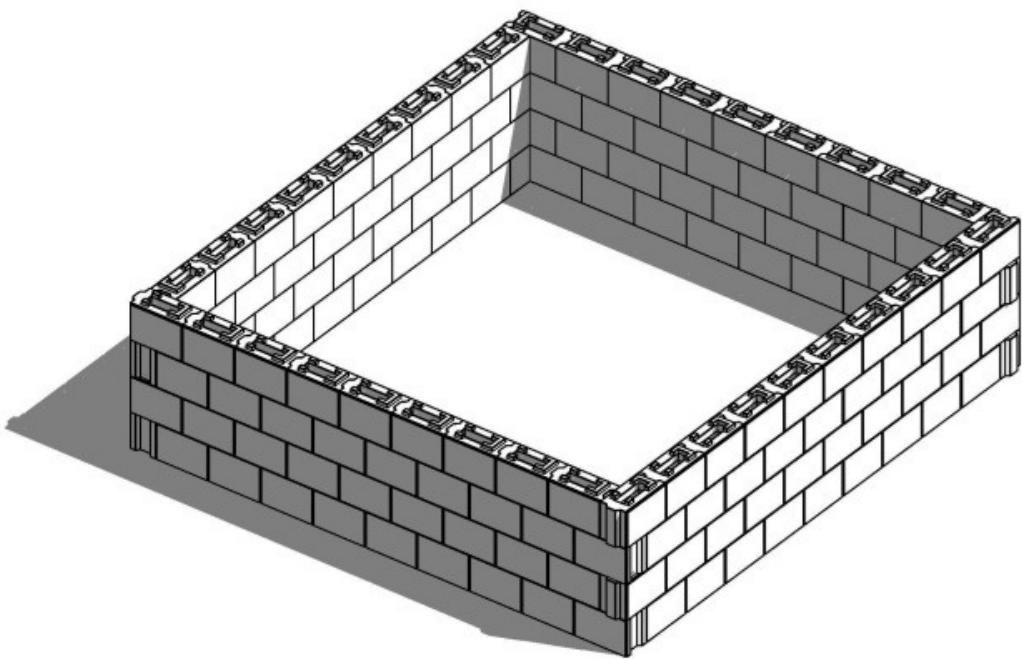


Lock-Light Hollow Blocks

FOR SUPPLY



- With vertical interlocking tongue
- Light weight
- Little/no external plaster
- Non stop construction
- Interlocking technology



kes.1250/m² OR Kes.75/block at factory Exc.VAT

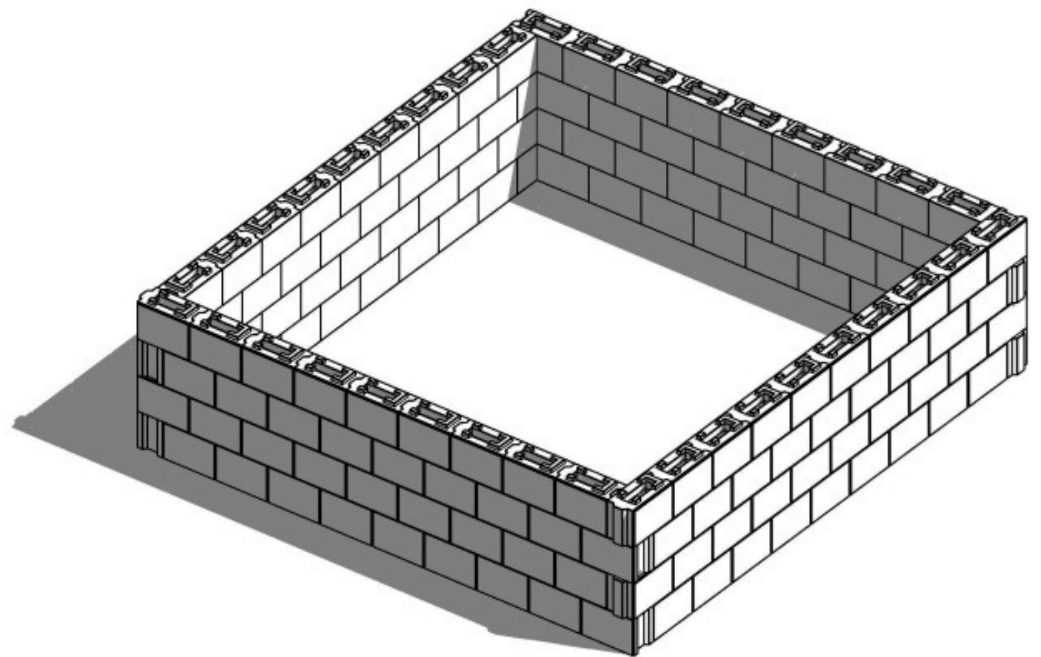


Flat-Light Hollow Blocks

FOR SUPPLY



- Flat top
- Light weight
- Little/no external plaster
- Non stop construction interlocking technology



kes.1250/m² OR Kes.75/block at factory Exc. VAT